

WALL-COLUMN JUNCTION DETAIL SECTION B-B

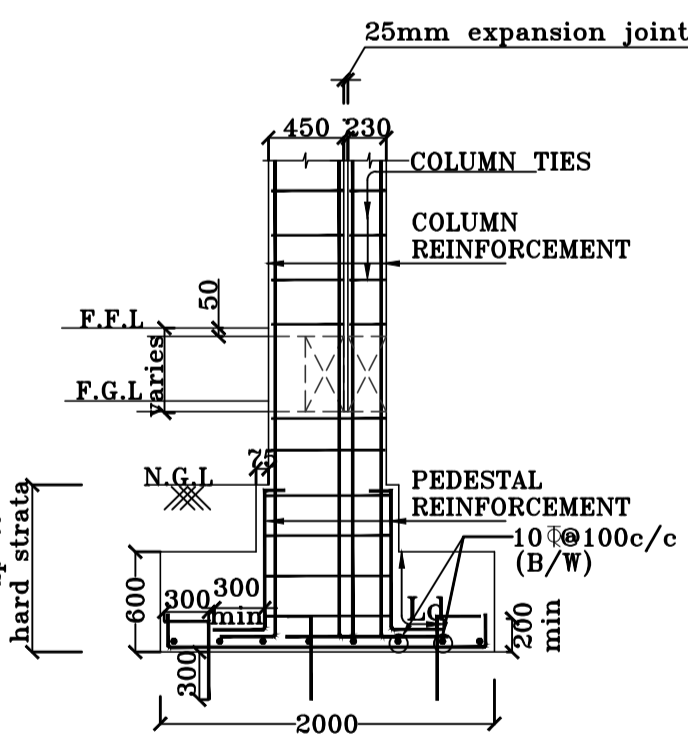
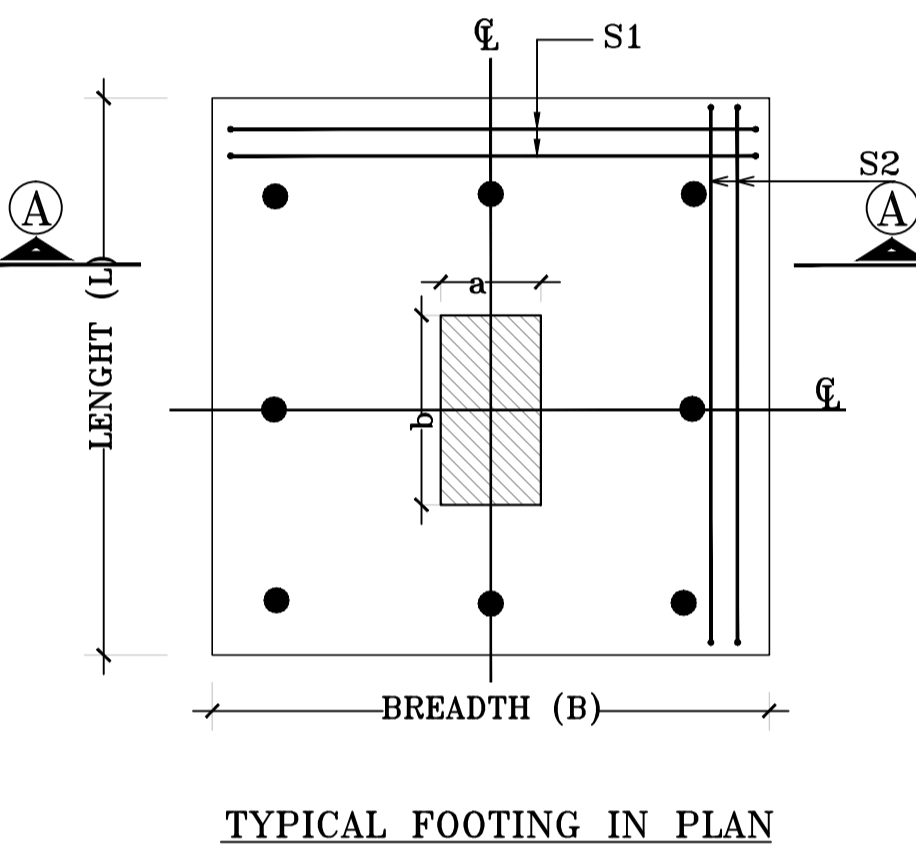
SCHEDULE OF FOOTINGS

FOOTING NO.	NUMBER OF COLUMNS	LENGTH (L)	BREADTH (B)	DEPTH (D)	REINFORCEMENT	
					S1	S2
F1	60	1600	1600	600	12# @ 100c/c	12# @ 100c/c
F2	01	1700	1700	650	12# @ 100c/c	12# @ 100c/c
F3	01	2000	2000	650	16# @ 100c/c	16# @ 100c/c
F4	02	2000	2000	500	10# @ 100c/c	10# @ 100c/c
F5	01	1725	1725	450	10# @ 100c/c	10# @ 100c/c
F6	01	2000	2000	600	10# @ 100c/c	10# @ 100c/c
F7	02	1850	1850	600	10# @ 100c/c	10# @ 100c/c

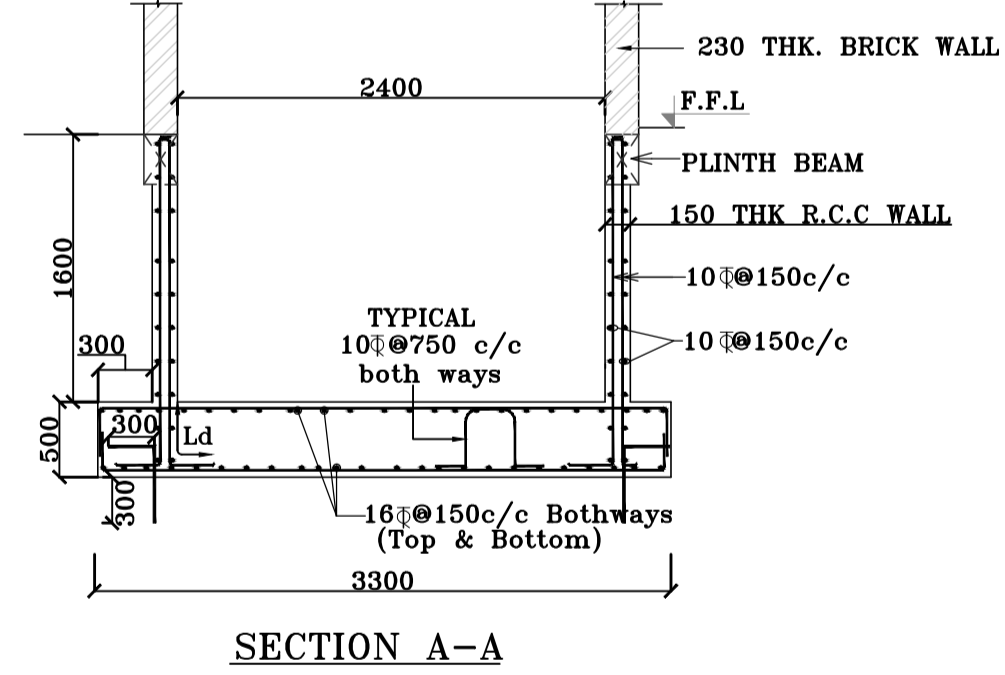
PEDESTAL DETAILS

PEDESTAL TYPE	SIZE	PEDESTAL REINF.	PEDESTAL SECTION
P1	600x750	10Nos-10# 8# @ 300c/c	
P2	855x1005	14NOS-10# 8# @ 300c/c	
P3	705x750	12Nos-10# 8# @ 300c/c	

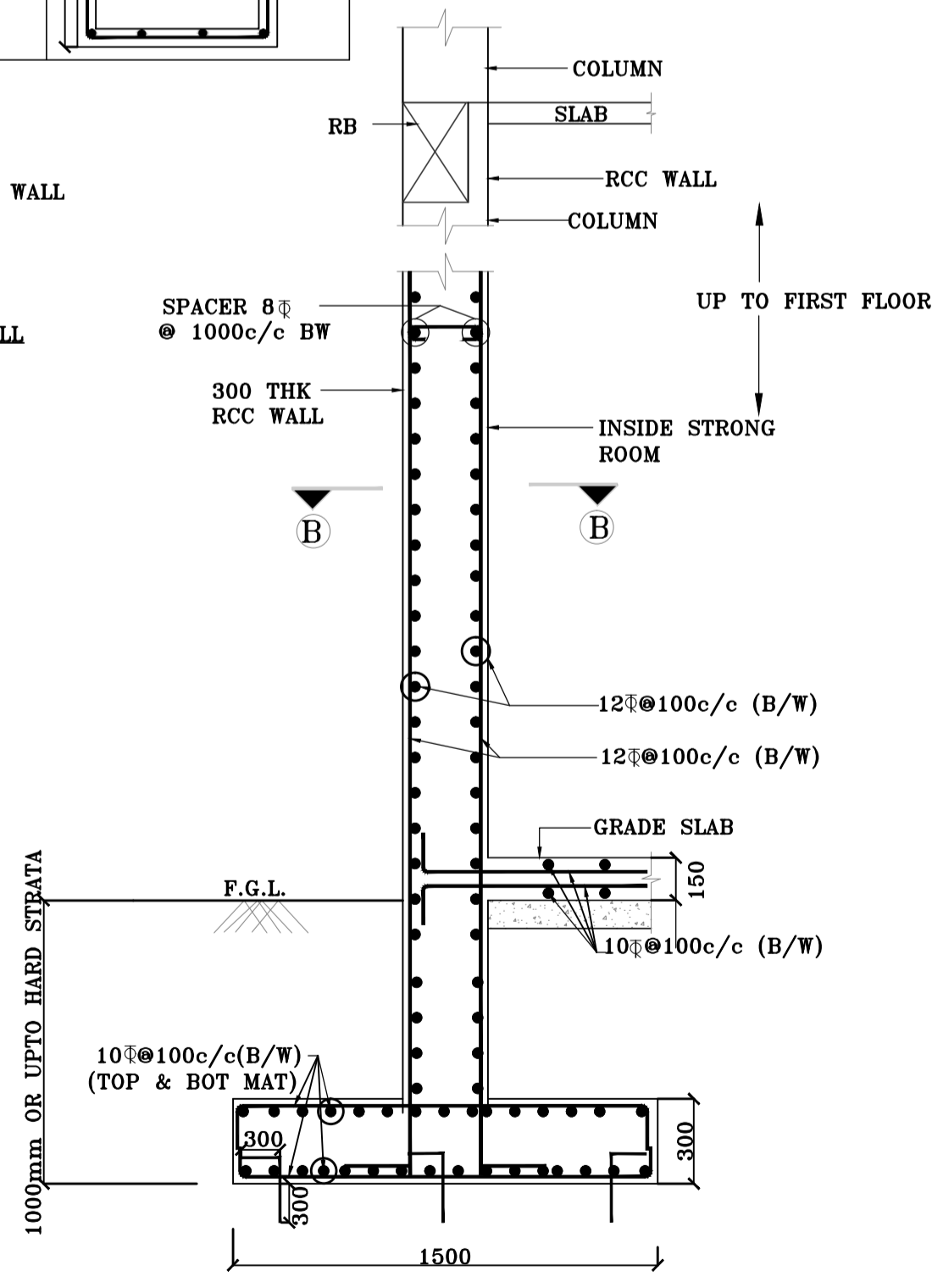
NOTE: If founded on rock footing shall be embedded by 650mm into rock or shall be taken up to hard strata below N.G.L but the length of column below plinth beam/grade slab shall not exceed 3.0m



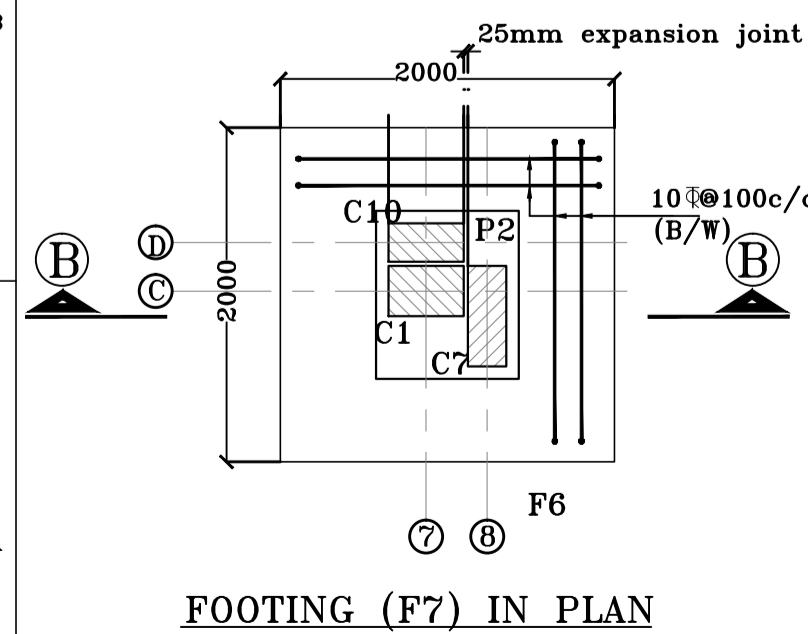
SECTION AT B-B



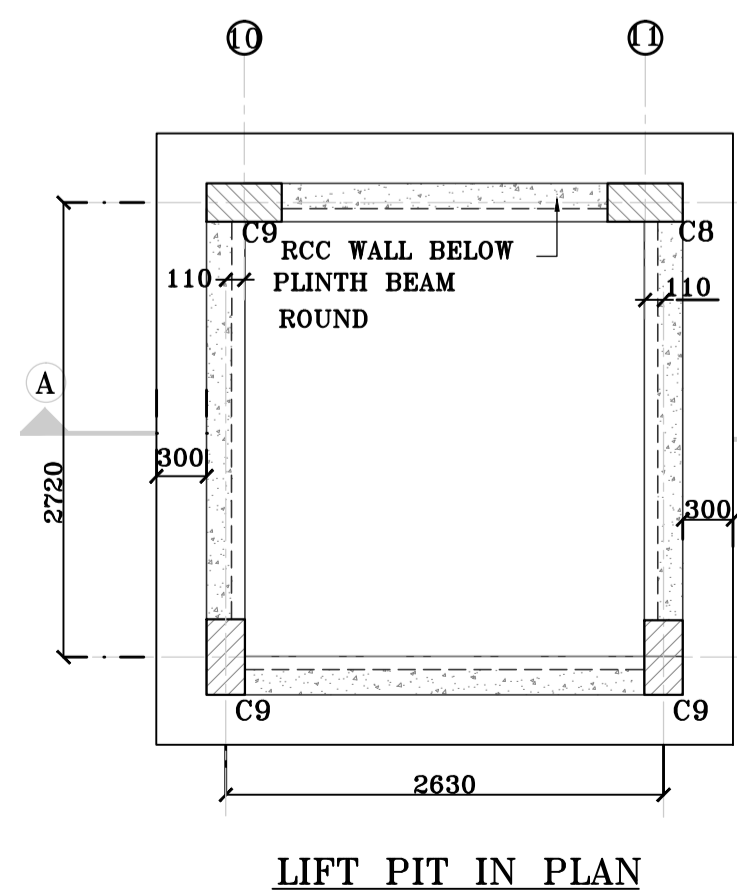
SECTION A-A



FOUNDATION DETAIL FOR STRONG ROOM RCC WALL & COLUMN SECTION Y-Y



FOOTING (F7) IN PLAN



LIFT PIT IN PLAN

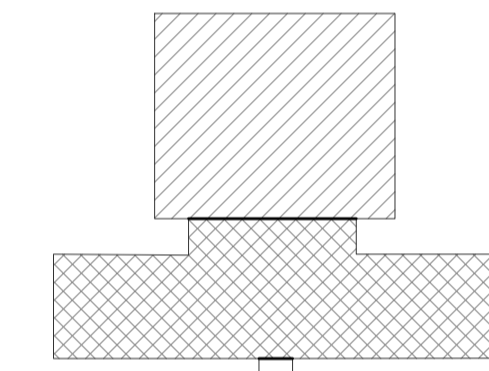
SCHEDULE OF COLUMNS

COLUMNS NO.S	SIZE (a x b)	COLUMNS STEEL	TIES	SECTION	ARRANGEMENT OF COLUMN TIES
C1-38	300x450	• 6Nos-25#	8# @ 200c/c		
C2-16	300x450	• 8Nos-25#	8# @ 200c/c		
C3-05	300x450	• 6Nos-25# • 4Nos-20#	8# @ 200c/c		
C4-23	300x450	• 8Nos-25# • 4Nos-20#	8# @ 200c/c		
C5-01	300x750	• 12Nos-25#	8# @ 200c/c		
C6-01	230x600	• 10Nos-25#	8# @ 200c/c		
C7-03	230x600	• 8Nos-20#	8# @ 200c/c		
C8-2	230x450	• 8Nos-20#	8# @ 200c/c		
C9-06	230x450	• 6Nos-20#	8# @ 200c/c		
C10-01	230x450	• 8Nos-20#	8# @ 200c/c		
C11-01	300x600	• 10Nos-25#	8# @ 200c/c		

MATERIALS			
DESCRIPTION	GRADE OF CONCRETE	GRADE OF STEEL	CLEAR COVER
FOOTINGS	M25	Fe 415	50mm
COLUMNS	M25	Fe 415	40mm

- NOTES
- ALL DIMENSIONS ARE IN 'mm'. UNLESS OTHERWISE SPECIFIED.
  - DO NOT SCALE THIS DRAWING. ONLY WRITTEN DIMENSIONS ARE TO BE FOLLOWED.
  - MINIMUM LAP LENGTH OF REINFORCEMENT SHALL BE 50 TIMES OF DIAMETER OF BAR UNLESS OTHERWISE STATED.
  - LAPS SHALL BE STAGGERED AND NOT MORE THAN 50% OF BARS SHALL BE LAPPED AT ANY LOCATION FOR BEAMS AND 33% FOR COLUMNS.
  - DEVELOPMENT LENGTH (Ld) OF REINFORCEMENT STEEL SHALL BE 50 TIMES OF DIAMETER OF BAR UNLESS OTHERWISE STATED.
  - READ THIS DRAWING ALONG WITH RELEVANT ARCHITECTURAL DRAWING.
  - ANY DISCREPANCY SHALL BE BROUGHT TO THE NOTICE OF THE CONSULTANT BEFORE EXECUTION.
  - THE STRONG ROOM WALLS & SLAB IS TAKEN AS 300MM & FLOOR IS TAKEN AS 150MM.
  - STRONG ROOM IS TO BE DESIGNED FOR NON CURRENCY PURPOSE SUCH AS SECURED STATIONARY ITEM ONLY.

KEY PLAN



- HATCHED PORTION (G+PROVISION)
- HATCHED PORTION (G+1 FLOOR ONLY)

NO	DATE	DESCRIPTION
REVISIONS		

REFERENCE DRAWINGS :

ARCHITECTURAL : MM/SBI/RSD/A-01 GROUND FLOOR PLAN & FIRST FLOOR PLAN

GENERAL : MM/G-01 NOTES FOR STRUCTURAL DETAILS  
MM/G-02 STANDARD STRUCTURAL DETAILS

STRUCTURAL : MM/SBI/RSD/S-01(1/2) LAYOUT OF FOOTINGS & COLUMNS

M/S MURTY & MANYAM HAS THE COPY RIGHTS OF THE DOCUMENT.

STATE BANK OF INDIA  
GACHIBOWLI, HYDERABAD.

SCALE	1 : 100	<p>MURTY &amp; MANYAM architects &amp; engineers</p> <p>859, Banjara Avenue, Hyderabad - 500 004. E-Mail: venkatpeesapati@gmail.com TEL : 23318020, FAX : 23374059</p>
DRG.NO	MM/SBI/RSD/S-01(2/2)	
DATE	06-04-09	PROPOSED BUILDING FOR REGIONAL STATIONARY DEPARTMENT OF HYDERABAD CIRCLE AT SBIRD
DRAWN	GEETA	<p>STRUCTURAL DETAILS FOOTINGS &amp; COLUMNS</p>
DESIGN	RAMAKUMAR	
CHKD.		
Q.C		
REVISIONS	NO DATE	